

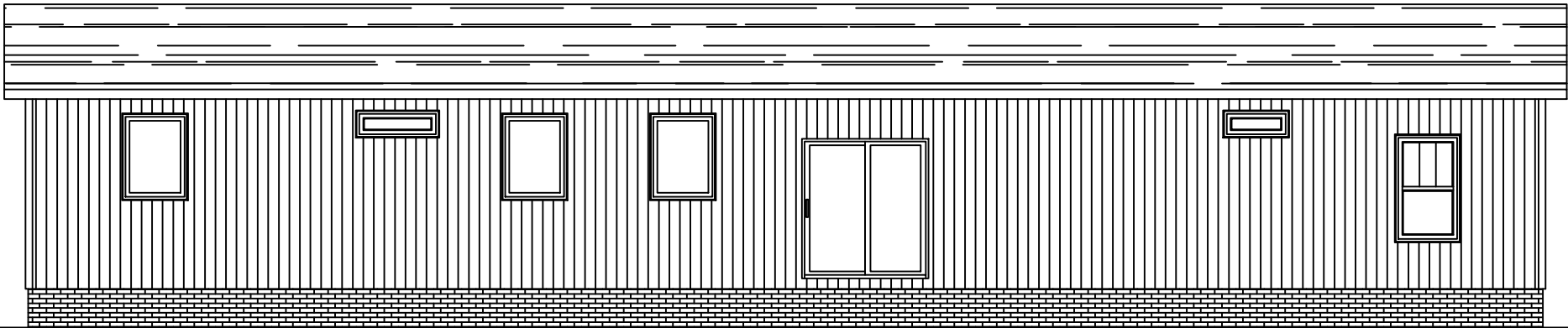
OCEANSIDE

Model #: EZL32724B

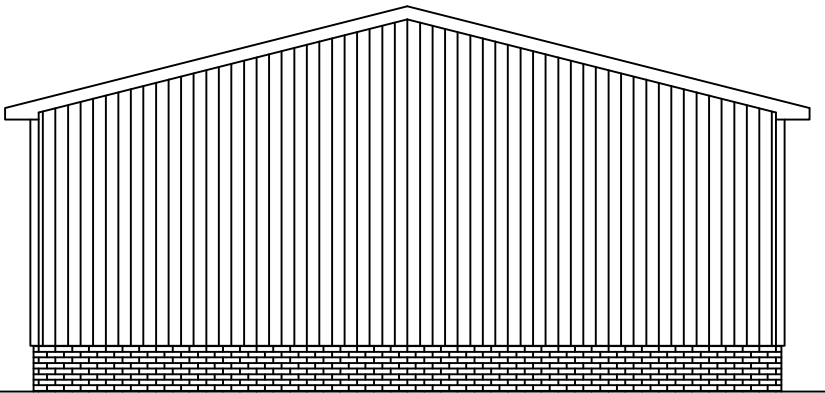
Drawing #:

32M507

ALL LOCATIONS ARE APPROXIMATE
 HB-HOSE BIBB
 OSR-OUTSIDE RECEPTACLE

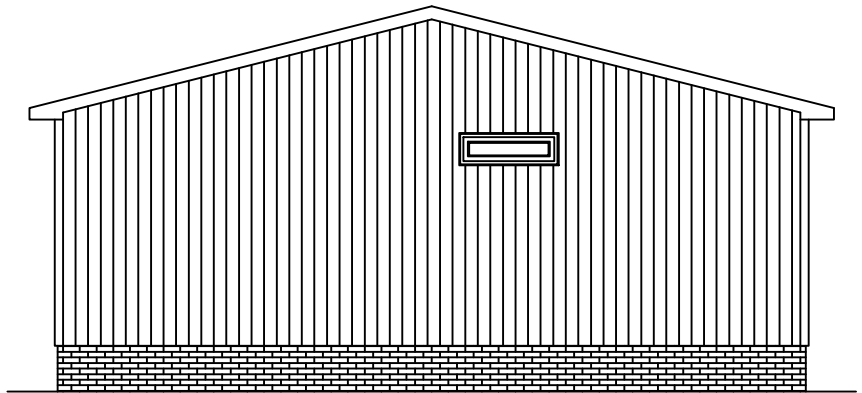


REAR ELEVATION



LEFT SIDE ELEVATION

66'-2"
CLD10312



RIGHT SIDE ELEVATION

29'-0"
CLD18312



FRONT ELEVATION

2160 SQ.FT. (STD PLAN "CONDITIONED")
SQ.FT. (W/OPT. PORCH/RECESS "CONDITIONED")

| | | |
|--|--|----------------------|
| CMH MANUFACTURING Product Designer: R. Bruner | Model #: EZL32724B Date: 2/13/13 Scale: NTS | Drawing #: 32M507 |
| | 32' x 72' Easy Living | |

ELEVATION

| | | | | | | |
|--|---|------|------|------|------|------|
| 20 lb ROOF LOAD SIDEWALL OPENING PIER LOAD 32' BOX WIDTH | SIDEWALL OPENING (FT) REQUIRED PIER LOAD (LBS) | | | | | |
| | 3 | 4 | 5 | 6 | 8 | 10 |
| | 1244 | 1413 | 1581 | 1750 | 2088 | 2425 |

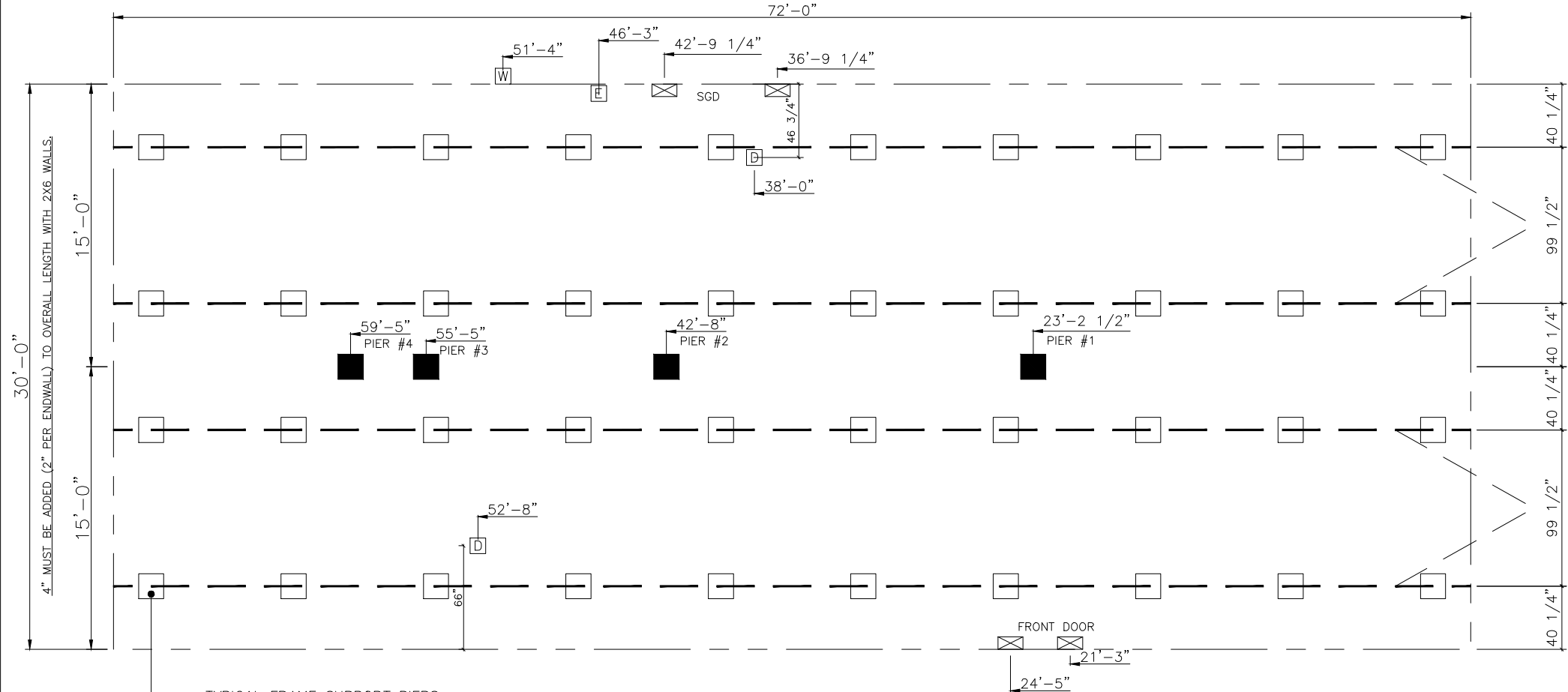
| PIER LOAD 20lb. ROOF LOAD | |
|---------------------------|-------------------|
| COLUMN PIER # | COLUMN LOAD (lbs) |
| PIER # 1 | 4788 |
| PIER # 2 | 4788 |
| PIER # 3 | 1300 |
| PIER # 4 | 1300 |

| PIER LOAD 30lb. ROOF LOAD | |
|---------------------------|-------------------|
| COLUMN PIER # | COLUMN LOAD (lbs) |
| PIER # 1 | 7450 |
| PIER # 2 | 7450 |
| PIER # 3 | 2800 |
| PIER # 4 | 2800 |

| 40 psf Roof Live Load | | |
|--------------------------------|---------------------|-----------------|
| Marriage Line Column Locations | | |
| | Distance from Hitch | Pier Load (lbs) |
| 1 | 23.167 | 9213 |
| 2 | 42.667 | 9213 |
| 3 | 55.417 | 3400 |
| 4 | 59.417 | 3400 |

FOR 30 lb & 40 lb ROOF LOAD REFER TO TABLES 7b & 7c IN THE INSTALLATION MANUAL.

4" MUST BE ADDED (2" PER SIDEWALL) TO OVERALL WIDTH WITH 2X6 WALLS.



TYPICAL FRAME SUPPORT PIERS

- GENERAL NOTES:
- PIER LOADS SHOWN ARE TO BE USED TO SIZE THE FOOTINGS BELOW THE MARRIAGEWALL FOR COLUMN SUPPORT PIERS. REFER TO TABLES 6b AND 6c IN THE INSTALLATION MANUAL FOR LOAD ON FRAME PIER FOOTINGS FOR HOMES THAT DO NOT REQUIRE PERIMETER BLOCKING. REFER TO TABLES 7b AND 7c IN THE INSTALLATION MANUAL FOR LOAD ON FRAME PIER FOOTINGS THAT REQUIRE PERIMETER BLOCKING. REFER TO TABLES 10 AND 10a TO DETERMINE FOOTING SIZE FOR ALL PIERS.
 - REFER TO TABLE 9 FOR PIER CONFIGURATION AND MAXIMUM ALLOWABLE HEIGHTS. CROSS REFERENCE THE PIER HEIGHT WITH THE MAXIMUM ALLOWABLE FLOOR HEIGHT LISTED IN THE FRAME TIEDOWN CHARTS (TABLE 18, 19, AND 20).
 - FLOOR WIDTH SHOWN IS FOR STANDARD PRODUCT ONLY. CONTACT THE MFG PLANT FOR SPECIFICATIONS OF OPTIONS ORDERED.
 - SERVICE DROP LOCATIONS IDENTIFIED ARE APPROXIMATE.
 - THE MAXIMUM SPACING FOR FRAME SUPPORT PIERS FOR 8" I-BEAMS IS 8 FEET, 10" & 12" I-BEAMS ARE 10 FEET.

| PIER LEGEND | |
|-------------|--------------------------------|
| | = SUPPORT UNDER MATING OPENING |
| | = SUPPORT AT MATING COLUMN |
| | = SUPPORT UNDER MATING WALL |
| | = PIER PORCH/RECESSED ENTRY |
| | = PIER MAIN BEAM |
| | = PIER PERIMETER |
| | = TIE-DOWN SUPPORT |

| SERVICE DROP LEGEND | |
|---------------------|---------------------|
| | = ELECTRICAL DROP |
| | = WATER INLET |
| | = DWV PLUMBING DROP |
| | = GAS INLET |

2160 SQ.FT. (STD PLAN "CONDITIONED")
SQ.FT. (W/OPT. PORCH/RECESS "CONDITIONED")

| | | |
|---------------------------------|--|----------------------|
| Product Designer: R. Bruner | Model #: EZL32724B Date: 2/13/13 Scale: NTS | Drawing #: 32M507 |
| | 32' x 72' Easy Living | |
| <h1>PIER LOADS</h1> | | |

29'-0"
CLD18312



EZL32724B-32M507-METAL ROOF ELEVATION