

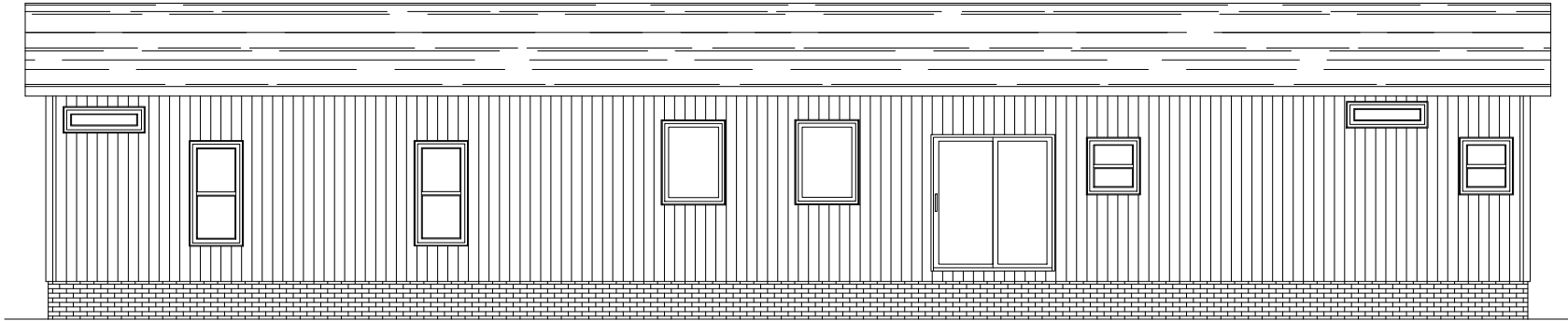
LOUIS

Model #: DSN32724A

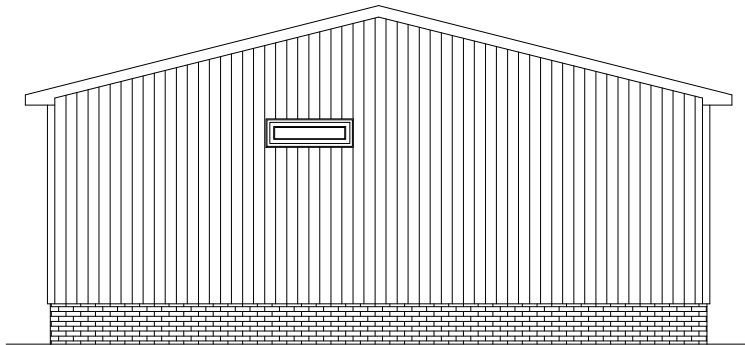
Drawing #:

32M517

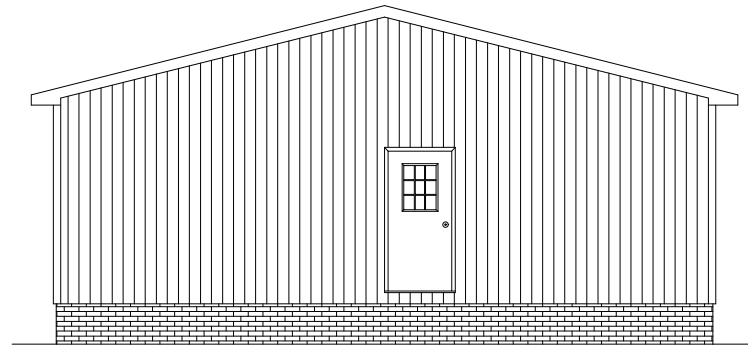
ALL LOCATIONS ARE APPROXIMATE
HB-HOSE BIBB
OSR-OUTSIDE RECEPTACLE



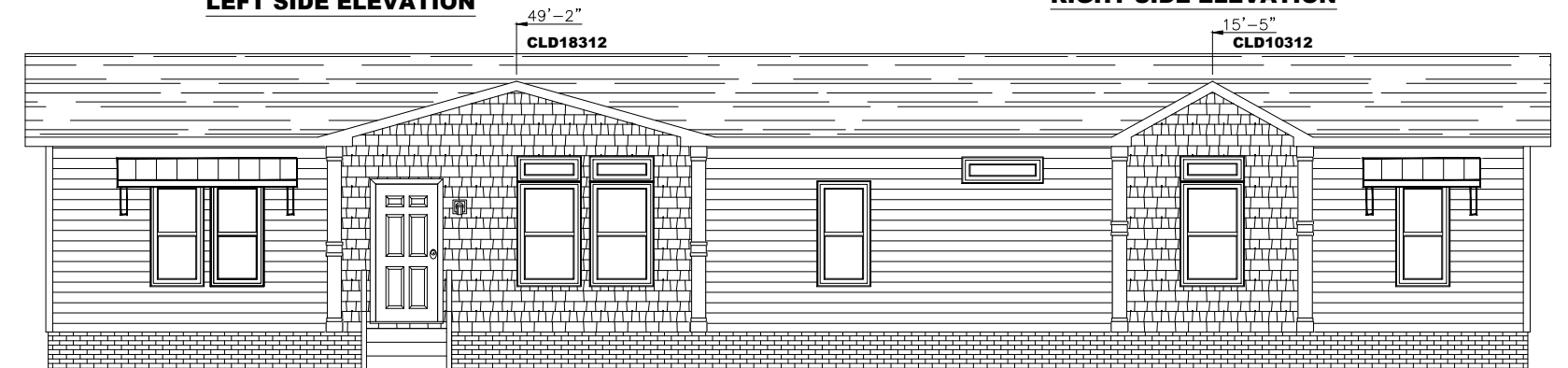
REAR ELEVATION



LEFT SIDE ELEVATION



RIGHT SIDE ELEVATION



FRONT ELEVATION

2160 SQ.FT. (STD. PLAN "CONDITIONED")
 N/A SQ.FT. (W/OPT. PORCH/RECESS "CONDITIONED")

CMH MANUFACTURING	Model #: D5N32724A	Drawing #:
	Date: 2/13/13 Scale: NTS	32M517
Product Designer: R. Bruner		32' x 72' DESINGER SERIES
ELEVATION		

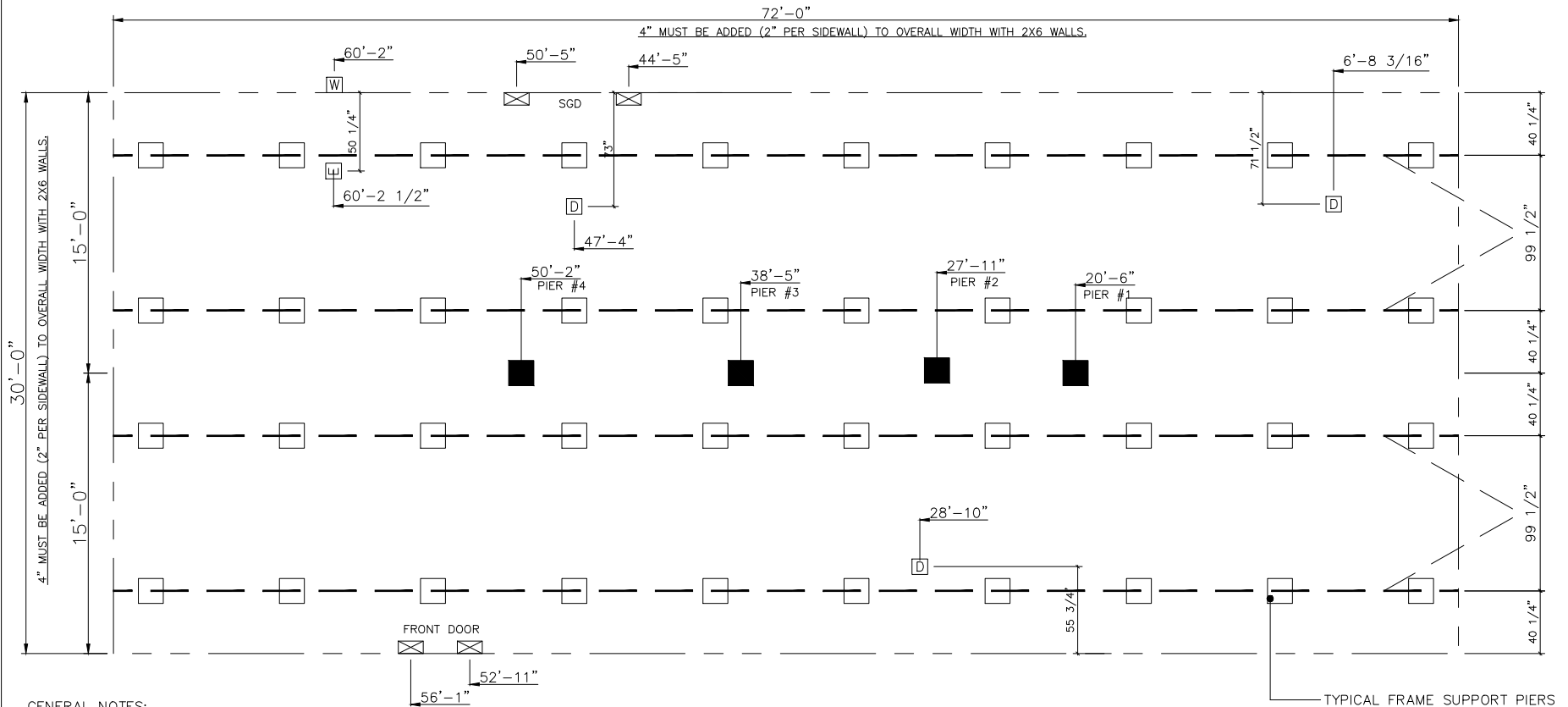
20 lb ROOF LOAD SIDEWALL OPENING PIER LOAD 28' BOX WIDTH	SIDEWALL OPENING (FT) REQUIRED PIER LOAD (LBS)					
	3	4	5	6	8	10
	1175	1330	1485	1640	1950	2260

PIER LOAD 20lb. ROOF LOAD	
COLUMN PIER #	COLUMN LOAD (lbs)
PIER # 1	2069
PIER # 2	2069
PIER # 3	3044
PIER # 4	3044

PIER LOAD 30lb. ROOF LOAD	
COLUMN PIER #	COLUMN LOAD (lbs)
PIER # 1	3825
PIER # 2	3825
PIER # 3	5125
PIER # 4	5125

PIER LOAD 40lb. ROOF LOAD	
COLUMN PIER #	COLUMN LOAD (lbs)
PIER # 1	4158
PIER # 2	4158
PIER # 3	6306
PIER # 4	6306

FOR 30 lb & 40 lb ROOF LOAD REFER TO TABLES 7b & 7c IN THE INSTALLATION MANUAL.



GENERAL NOTES:

- PIER LOADS SHOWN ARE TO BE USED TO SIZE THE FOOTINGS BELOW THE MARRIAGEWALL FOR COLUMN SUPPORT PIERS. REFER TO TABLES 6b AND 6c IN THE INSTALLATION MANUAL FOR LOAD ON FRAME PIER FOOTINGS FOR HOMES THAT DO NOT REQUIRE PERIMETER BLOCKING. REFER TO TABLES 7b AND 7c IN THE INSTALLATION MANUAL FOR LOAD ON FRAME PIER FOOTINGS THAT REQUIRE PERIMETER BLOCKING. REFER TO TABLES 10 AND 10a TO DETERMINE FOOTING SIZE FOR ALL PIERS.
- REFER TO TABLE 9 FOR PIER CONFIGURATION AND MAXIMUM ALLOWABLE HEIGHTS. CROSS REFERENCE THE PIER HEIGHT WITH THE MAXIMUM ALLOWABLE FLOOR HEIGHT LISTED IN THE FRAME TIEDOWN CHARTS (TABLE 18, 19, AND 20).
- FLOOR WIDTH SHOWN IS FOR STANDARD PRODUCT ONLY. CONTACT THE MFG PLANT FOR SPECIFICATIONS OF OPTIONS ORDERED.
- SERVICE DROP LOCATIONS IDENTIFIED ARE APPROXIMATE.
- THE MAXIMUM SPACING FOR FRAME SUPPORT PIERS FOR 8" I-BEAMS IS 8 FEET, 10" & 12" I-BEAMS ARE 10 FEET.

PIER LEGEND	
□	= SUPPORT UNDER MATING OPENING
■	= SUPPORT AT MATING COLUMN
▨	= SUPPORT UNDER MATING WALL
●	= PIER PORCH/RECESSED ENTRY
□	= PIER MAIN BEAM
⊞	= PIER PERIMETER
●	= TIE-DOWN SUPPORT

SERVICE DROP LEGEND	
E	= ELECTRICAL DROP
W	= WATER INLET
D	= DWV PLUMBING DROP
G	= GAS INLET

2160 SQ.FT. (STD PLAN "CONDITIONED")
N/A SQ.FT. (W/OPT. PORCH/RECESS "CONDITIONED")

CMH MANUFACTURING Product Designer: R. Bruner	Model #: D5N32724A	Drawing #:
	Date: 2/13/13 Scale: NTS	32M517
PIER LOADS		

49'-2"
CLD18312



DSN32724A-32M517 METAL ROOF