

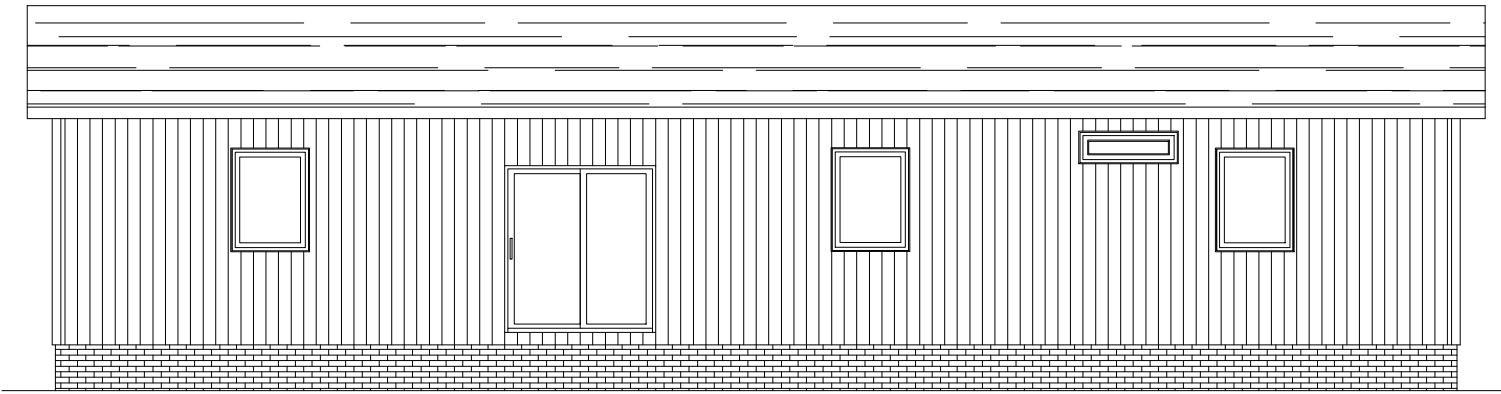
ARMANI

Model #: DSN32563A

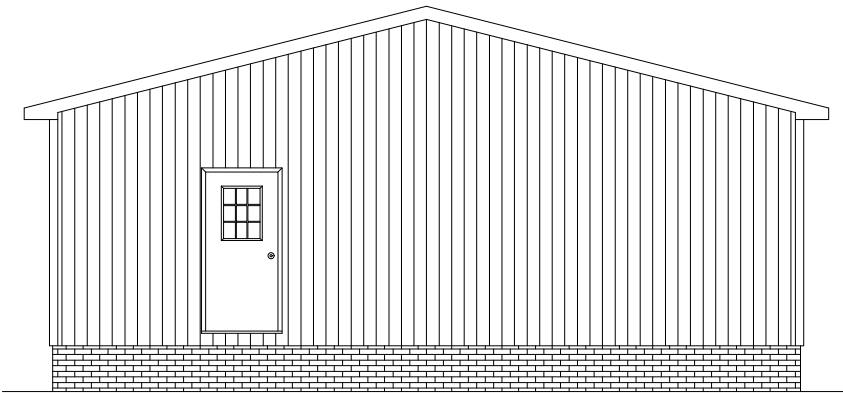
Drawing #:

32M514

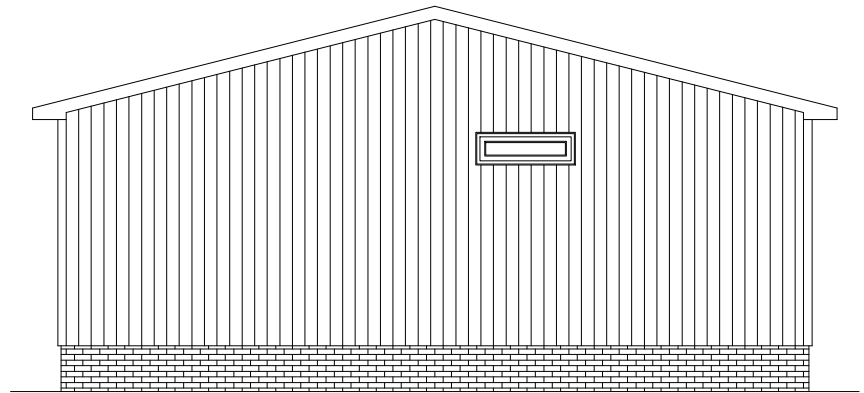
ALL LOCATIONS ARE APPROXIMATE
 HB-HOSE BIBB
 OSR-OUTSIDE RECEPTACLE



REAR ELEVATION



LEFT SIDE ELEVATION



RIGHT SIDE ELEVATION



FRONT ELEVATION

22'-6"
CL18312

1680 SQ.FT. (STD PLAN "CONDITIONED")

SQ.FT. (W/OPT. PORCH/RECESS "CONDITIONED")

CMH MANUFACTURING	Model #: DSN32563A	Drawing #:
	Date: 2/13/13	Scale: NTS
Product Designer: R. Bruner	32 x 56 Designer	

ELEVATION

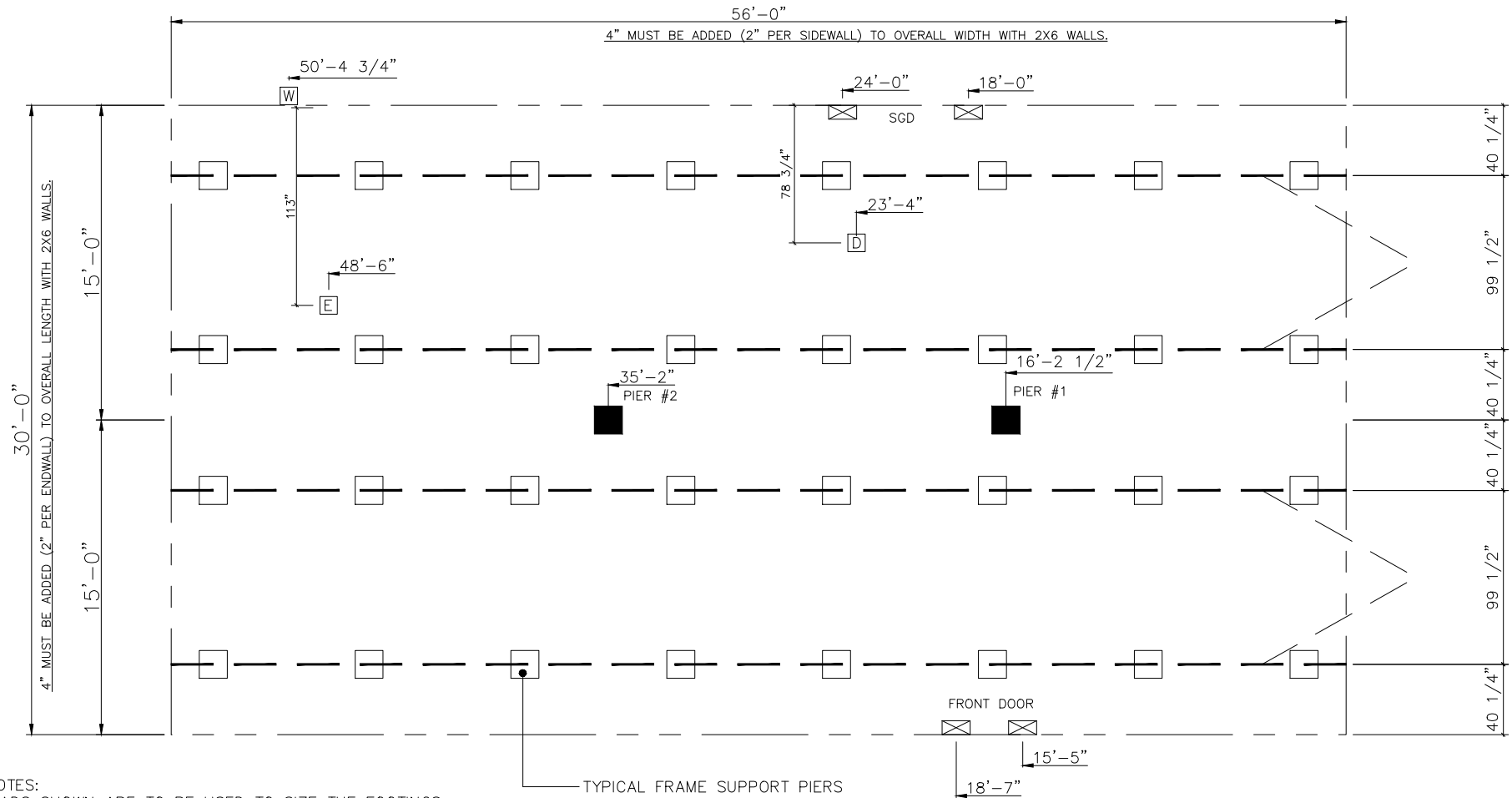
20 lb ROOF LOAD SIDEWALL OPENING PIER LOAD 32' BOX WIDTH	SIDEWALL OPENING (FT) REQUIRED PIER LOAD (LBS)					
	3	4	5	6	8	10
	1244	1413	1581	1750	2088	2425

PIER LOAD 20lb. ROOF LOAD	
COLUMN PIER #	COLUMN LOAD (lbs)
PIER # 1	4675
PIER # 2	4675

PIER LOAD 30lb. ROOF LOAD	
COLUMN PIER #	COLUMN LOAD (lbs)
PIER # 1	7300
PIER # 2	7300

PIER LOAD 40lb. ROOF LOAD	
COLUMN PIER #	COLUMN LOAD (lbs)
PIER # 1	9025
PIER # 2	9025

*FOR 30 lb & 40 lb ROOF LOAD REFER TO TABLES 7b & 7c IN THE INSTALLATION MANUAL.



GENERAL NOTES:

- PIER LOADS SHOWN ARE TO BE USED TO SIZE THE FOOTINGS BELOW THE MARRIAGEWALL FOR COLUMN SUPPORT PIERS. REFER TO TABLES 6b AND 6c IN THE INSTALLATION MANUAL FOR LOAD ON FRAME PIER FOOTINGS FOR HOMES THAT DO NOT REQUIRE PERIMETER BLOCKING. REFER TO TABLES 7b AND 7c IN THE INSTALLATION MANUAL FOR LOAD ON FRAME PIER FOOTINGS THAT REQUIRE PERIMETER BLOCKING. REFER TO TABLES 10 AND 10g TO DETERMINE FOOTING SIZE FOR ALL PIERS.
- REFER TO TABLE 9 FOR PIER CONFIGURATION AND MAXIMUM ALLOWABLE HEIGHTS. CROSS REFERENCE THE PIER HEIGHT WITH THE MAXIMUM ALLOWABLE FLOOR HEIGHT LISTED IN THE FRAME TIEDOWN CHARTS (TABLE 18, 19, AND 20).
- FLOOR WIDTH SHOWN IS FOR STANDARD PRODUCT ONLY. CONTACT THE MFG PLANT FOR SPECIFICATIONS OF OPTIONS ORDERED.
- SERVICE DROP LOCATIONS IDENTIFIED ARE APPROXIMATE.
- THE MAXIMUM SPACING FOR FRAME SUPPORT PIERS FOR 8" I-BEAMS IS 8 FEET, 10" & 12" I-BEAMS ARE 10 FEET.

SERVICE DROP LEGEND	
[E]	= ELECTRICAL DROP
[W]	= WATER INLET
[D]	= DWV PLUMBING DROP
[G]	= GAS INLET

PIER LEGEND	
[□]	= SUPPORT UNDER MATING OPENING
[■]	= SUPPORT AT MATING COLUMN
[⊗]	= SUPPORT UNDER MATING WALL
[●]	= PIER PORCH/RECESSED ENTRY
[□]	= PIER MAIN BEAM
[⊞]	= PIER PERIMETER
[●]	= TIE-DOWN SUPPORT

1680 SQ.FT. (STD PLAN "CONDITIONED")
 #### SQ.FT. (W/OPT. PORCH/RECESS "CONDITIONED")

CMH MANUFACTURING Product Designer: R. Bruner	Model #: DSN32563A	Drawing #:
	Date: 2/13/13	Scale: NTS

32 x 56 Designer

PIER LOADS